



Cap Moulds

Straight Joints

Angles

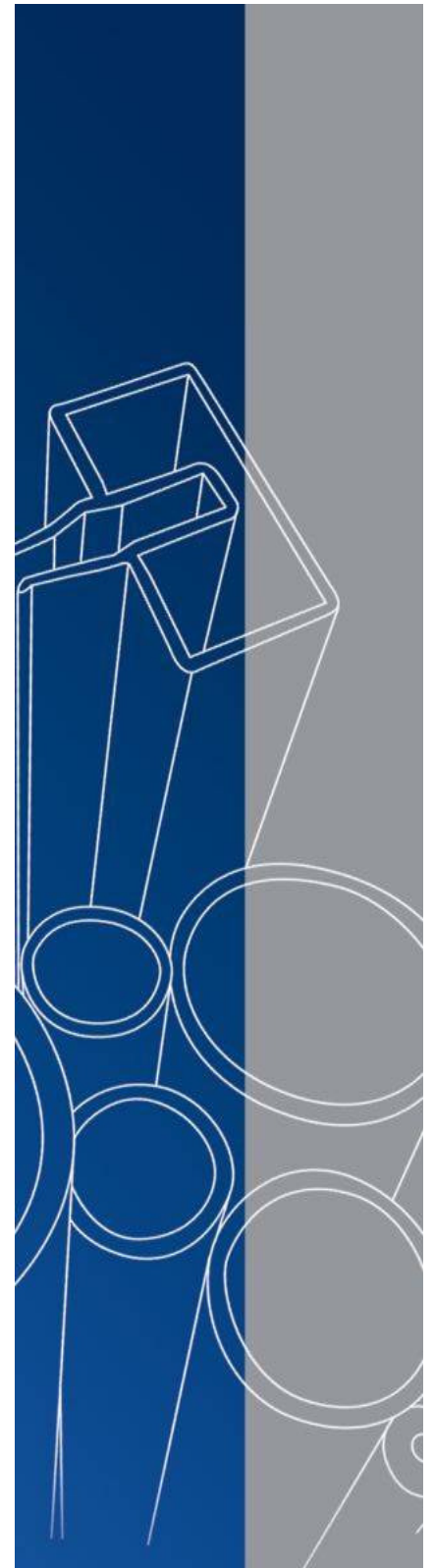
**Internal
Angles**

**External
Angles**

**Perforated
Angles**

**Render
Beads**

**Lattice
edge trim**



PVC Building Profiles

"It's the lengths we go to"



TECH PLAS
EXTRUSIONS

| CAP MOULD - WHITE - 2.4m - 3.0m - 3.6m | | |
|--|----------|------------|
| SIZE | | BUNDLE QTY |
| 3mm | | 25L |
| 4.5mm | | 25L |
| 6mm | | 25L |
| 10mm | | 25L |
| 13mm | | 25L |
| 16mm | Not 2.7m | 25L |
| 19mm | Not 2.7m | 10L |

| STRAIGHT JOINT - WHITE - 2.4m - 3.0m - 3.6m | | |
|---|----------|------------|
| SIZE | | BUNDLE QTY |
| 4.5mm | | 25L |
| 6mm | | 25L |
| 10mm | | 25L |
| 13mm | | 25L |
| 16mm | Not 2.4m | 25L |

| HARDIPLANK JOINERS - WHITE | |
|----------------------------|----------|
| SIZE/FINISH | PACK QTY |
| 230mm SMOOTH | 25L |
| 300mm SMOOTH | 25L |
| 230mm WOODGRAIN | 25L |
| 300mm WOODGRAIN | 25L |

| ANGLES - WHITE - 3.0m | |
|-----------------------|------------|
| SIZE | BUNDLE QTY |
| 12 X 12 X 1.5mm | 25L |
| 19 X 19 X 2mm | 25L |
| 25 X 25 X 2mm | 25L |
| 75 X 50 X 1mm | 25L |

| ANGLES - BLACK - 3.0m | |
|-----------------------|------------|
| SIZE | BUNDLE QTY |
| 12 X 12 X 1.5mm | 25L |
| 19 X 19 X 2mm | 25L |
| 25 X 25 X 2mm | 25L |

| CELLULAR ANGLE - WHITE - 2.4m - 3.0m | |
|--------------------------------------|------------|
| SIZE | BUNDLE QTY |
| 45 X 45 X 4mm | 10L |

| PERFORATED ANGLES - WHITE - 3.0m | |
|----------------------------------|------------|
| SIZE | BUNDLE QTY |
| 40 X 40 X 1mm SMALL NIB | 10L |
| 40 X 40 X 1mm LARGE NIB | 10L |
| 30 X 30 X 1mm HOLLOW NIB | 10L |

| INTERNAL ANGLES - WHITE - 3.0m | |
|--------------------------------|------------|
| SIZE | BUNDLE QTY |
| 4.5mm | 25L |
| 6mm | 25L |
| 10mm - 3m ONLY | 10L |

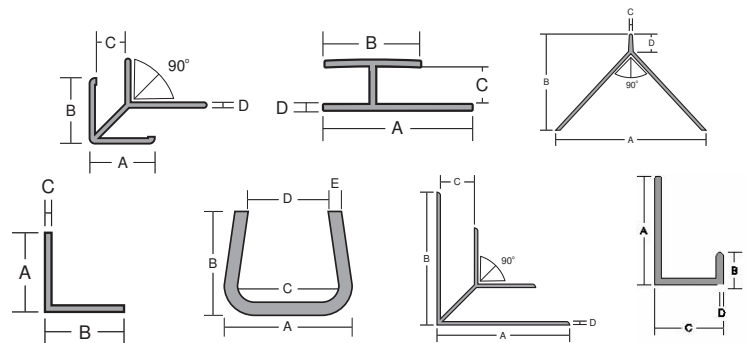
| EXTERNAL ANGLES - WHITE - 3.0m | |
|--------------------------------|------------|
| SIZE | BUNDLE QTY |
| 4.5mm | 25L |
| 6mm | 25L |
| 10mm | 10L |

| BATTEN COVER - WHITE - 2.4m - 3.0m | |
|------------------------------------|------------|
| SIZE | BUNDLE QTY |
| 45mm | 10L |

uPVC (Polyvinyl Chloride, Unplasticized)

uPVC has excellent chemical resistance across its operating temperature range. Due to its long term strength characteristics and cost effectiveness, uPVC systems account for a large proportion of plastic profiles in building and industrial installations. uPVC is resistant to most solutions of acids, alkalis, salts and organic compounds miscible with water.

TechPlas uses UV resistant formulations designed for tough Australian conditions.



TECH PLAS
EXTRUSIONS

Tech Plas Extrusions Pty Ltd
ABN 57 003 004 699
321 Wentworth Ave
Pondle Hill NSW 2145
P 02 96366755
F 02 96366901

E enquiries@techplas.com.au

W techplas.com.au