



Crack Inducers

Angles

25mm Conduit

27mm Conduit

Fillet

Chamfer Fillet

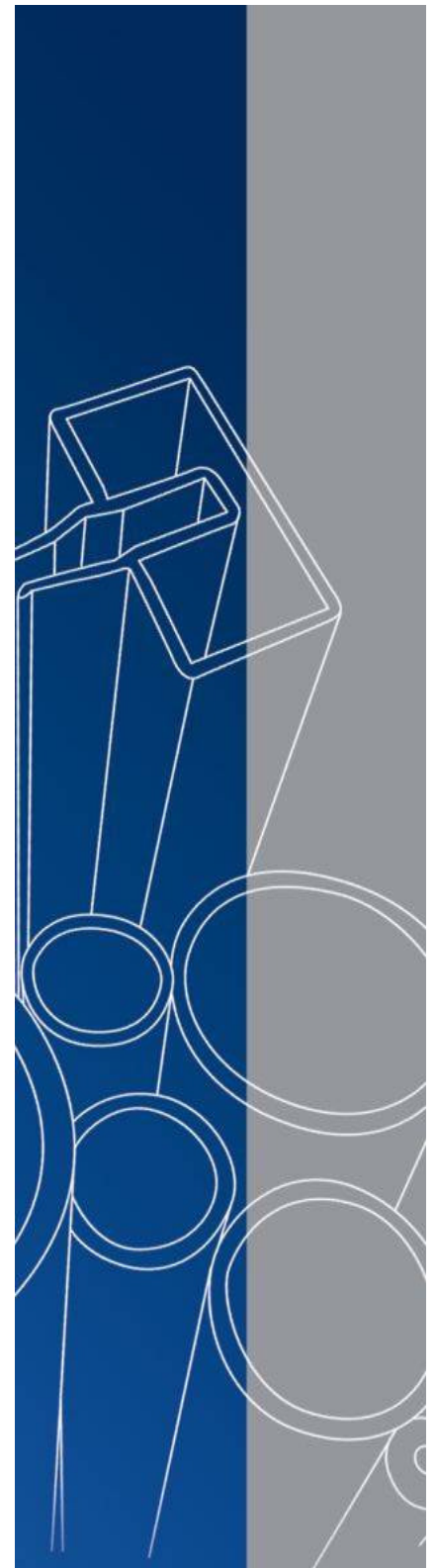
Reglet A

Reglet B

**Concrete and
Waterproofing**

PVC Building Profiles

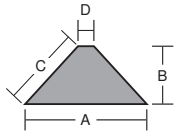
"It's the lengths we go to"

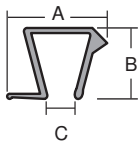
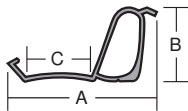


TECH PLAS
EXTRUSIONS

CRACK INDUCERS "T" - WHITE - 5.0m		
SIZE mm		BUNDLE QTY
40w x 20h x 1.5t	TP696	25L

CONDUIT - GREY - 3.0m - 4.0m		
SIZE		BUNDLE QTY
25mm	TP251	25L
27mm	TP211	25L

FILLET - 3.0m - 4.0m WHITE-YELLOW-ORANGE	
SIZE	PACK QTY
19mm foam	25L
 TP194	

REGLETS - WHITE - 3.0m	
SIZE	BUNDLE QTY
TYPE A  TP188	25L
TYPE B  TP198	

ANGLES - BLACK - 3.0m	
SIZE	BUNDLE QTY
12 X 12 X 1.5mm	25L
19 X 19 X 2mm	25L
25 X 25 X 2mm	25L

CELLULAR ANGLE - WHITE - 2.4m - 3.0m	
SIZE	BUNDLE QTY
45 X 45 X 4mm	10L

ANGLES - WHITE - 3.0m	
SIZE	BUNDLE QTY
12 X 12 X 1.5mm	25L
19 X 19 X 2mm	25L
25 X 25 X 2mm	25L
75 X 50 X 1mm	25L



TECH PLAS
EXTRUSIONS

Tech Plas Extrusions Pty Ltd
 ABN 57 003 004 699
 321 Wentworth Ave
 Pendle Hill NSW 2145
 P 02 96366755
 F 02 96366901
 E enquiries@techplas.com.au

W techplas.com.au