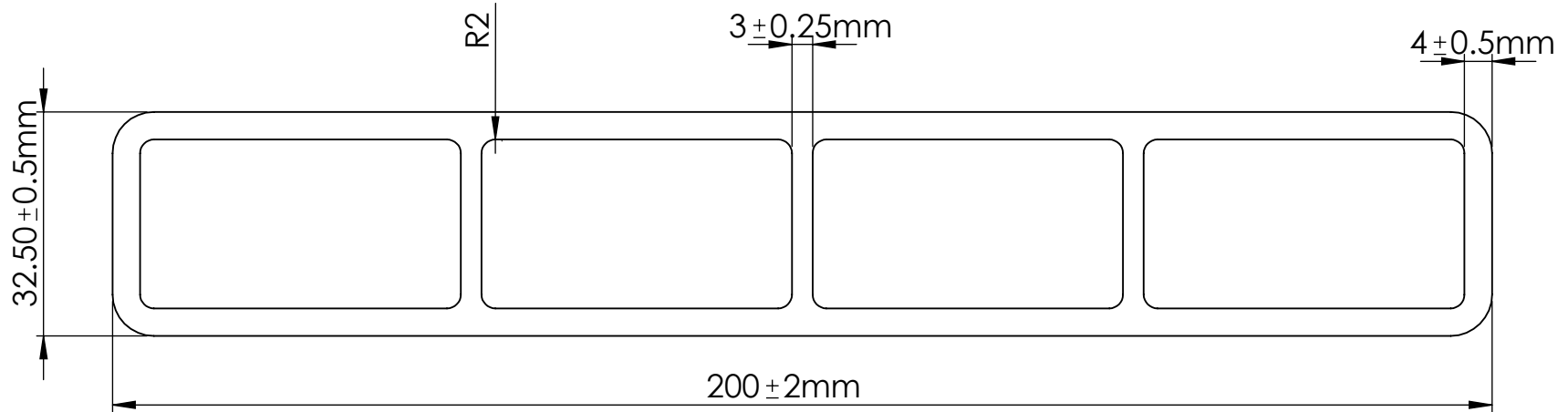


FINAL VERSION - APPROVED 31.5.19




To be compliant with Appendix D
AS.NZS- 4994.1:2009

Pendulum Test
 Deflection at Impact 60Kg from 1m

I: 342873 mm⁴
E: 3,500 Mpa

Deflection at Impact 189mm < 200mm

UNLESS OTHERWISE SPECIFIED: DIMENSIONS ARE IN MILLIMETERS SURFACE FINISH: STANDARD TOLERANCES: LINEAR: 1mm ANGULAR: 2 degrees			DO NOT SCALE DRAWING		REVISION: 2.3		
			DRAWING AND RIGHTS PROPERTY OF:  TECHPLAS <small>Smart people doing smart things with plastics</small>		TechPlas KickBoard Panel		
NAME	SIGNATURE	DATE	TITLE:				
DRAWN	A.SWANN	08.05.19					
APPV'D			DWG NO. TP 891			A4	
MATERIAL: Recycled Rigid PVC			SCALE:1:1		SHEET 1 OF 1		
WEIGHT: 2900 g / m							